

Passive Speed Sensors

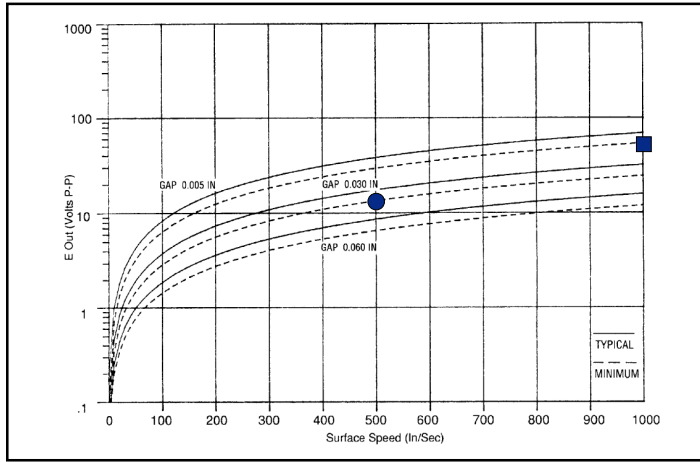
LISTED PRODUCT

FM Sensors

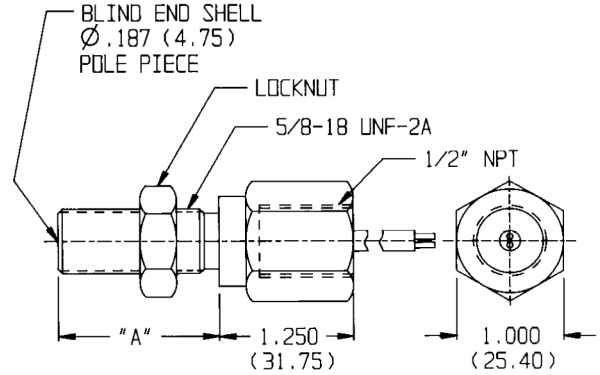
Ordering Part #	Thread Length (A)
70085-1010-404	1.500 (38.10)
70085-1010-406	2.750 (69.85)
70085-1010-417	4.000 (101.60)
70085-1010-420	6.000 (152.40)

Rating: FM listed for hazardous location.
Class I, Div 1, Group D.

Performance Curves



Based on 8 D.P. Gear



Specifications:

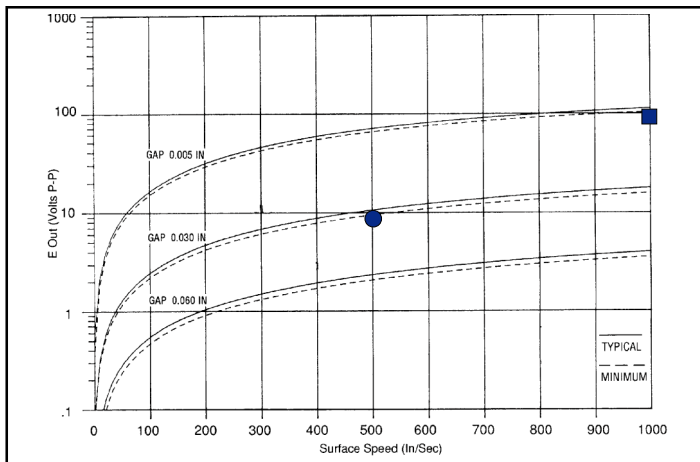
- Output Voltage (Standard): 60V (P-P)
 - Output Voltage (Guarantee Point): 13.4V (P-P)
- DC Resistance: 210 ohms max.
Typical Inductance: 75 mH max.
Output Polarity: White lead positive
Operating Temperature: -55 to +220°C
Cable Length: 15 ft. (4.57m)
Net Weight: 16 oz. max.

FM Sensors

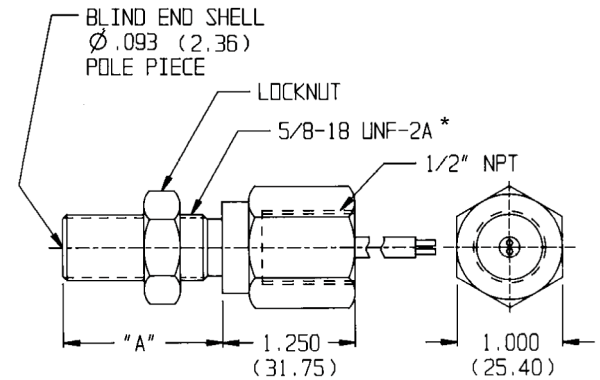
Ordering Part #	Thread Length (A)	
70085-1010-403	1.500 (38.10)	
70085-1010-405	2.750 (69.85)*	*3/4 - 20 THD.
70085-1010-415	4.000 (101.60)	
70085-1010-416	6.000 (152.40)	

Rating: FM listed for hazardous location.
Class I, Div 1, Group D.

Performance Curves



Based on 20 D.P. Gear



Specifications:

- Output Voltage (Standard): 90 V (P-P)
 - Output Voltage (Guarantee Point): 9.4 V (P-P)
- DC Resistance: 750 ohms max.
Typical Inductance: 210 mH max.
Output Polarity: White lead positive
Operating Temperature: -55 to +232°C
*Mounting Thread: -0405, 3/4 - 20 UNEF-2A
Cable Length: 15 ft (4.57 m)
Net Weight: 16 oz. max.

Dimensions in inches and (mm).